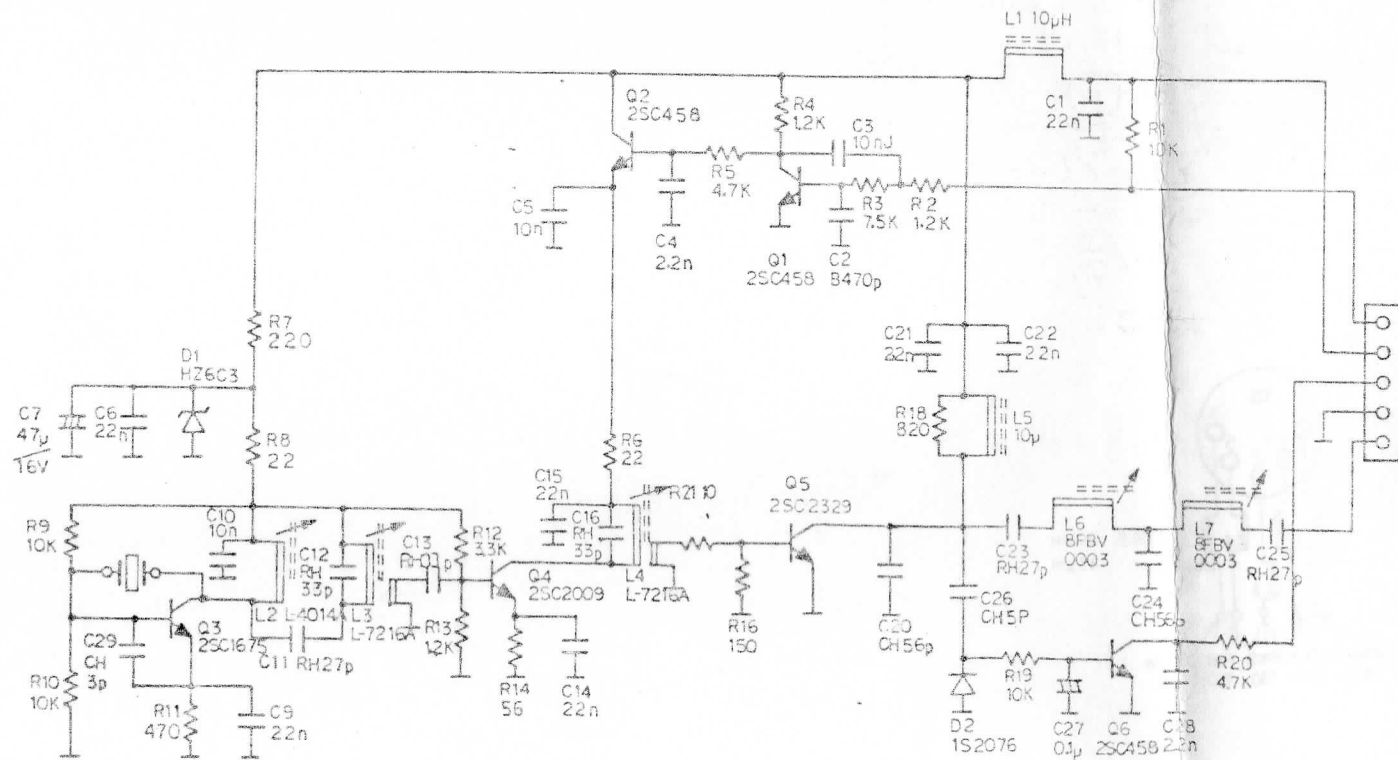


# T614 5,6,7 F G RF 72,75 AM



# T614 5,6,7FG RF AM72,75

