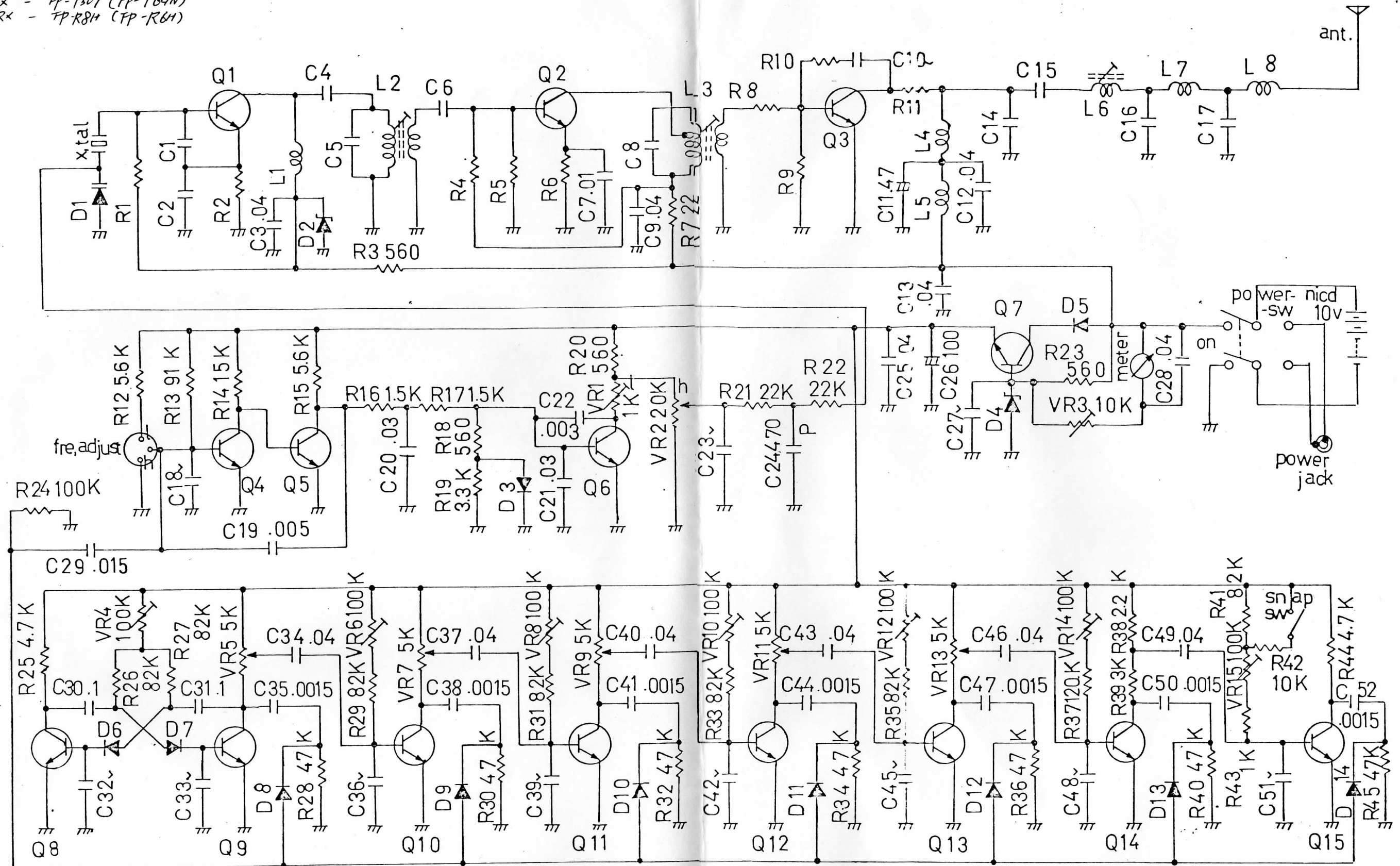


6CH. circuit, FM-R/c.  
 4CH. to 6CH. (FP-6GN, 5GN & 4GN)  
 Tx - FP-T507 (FP-T64N)  
 Rx - FP-R8H (FP-R6H)



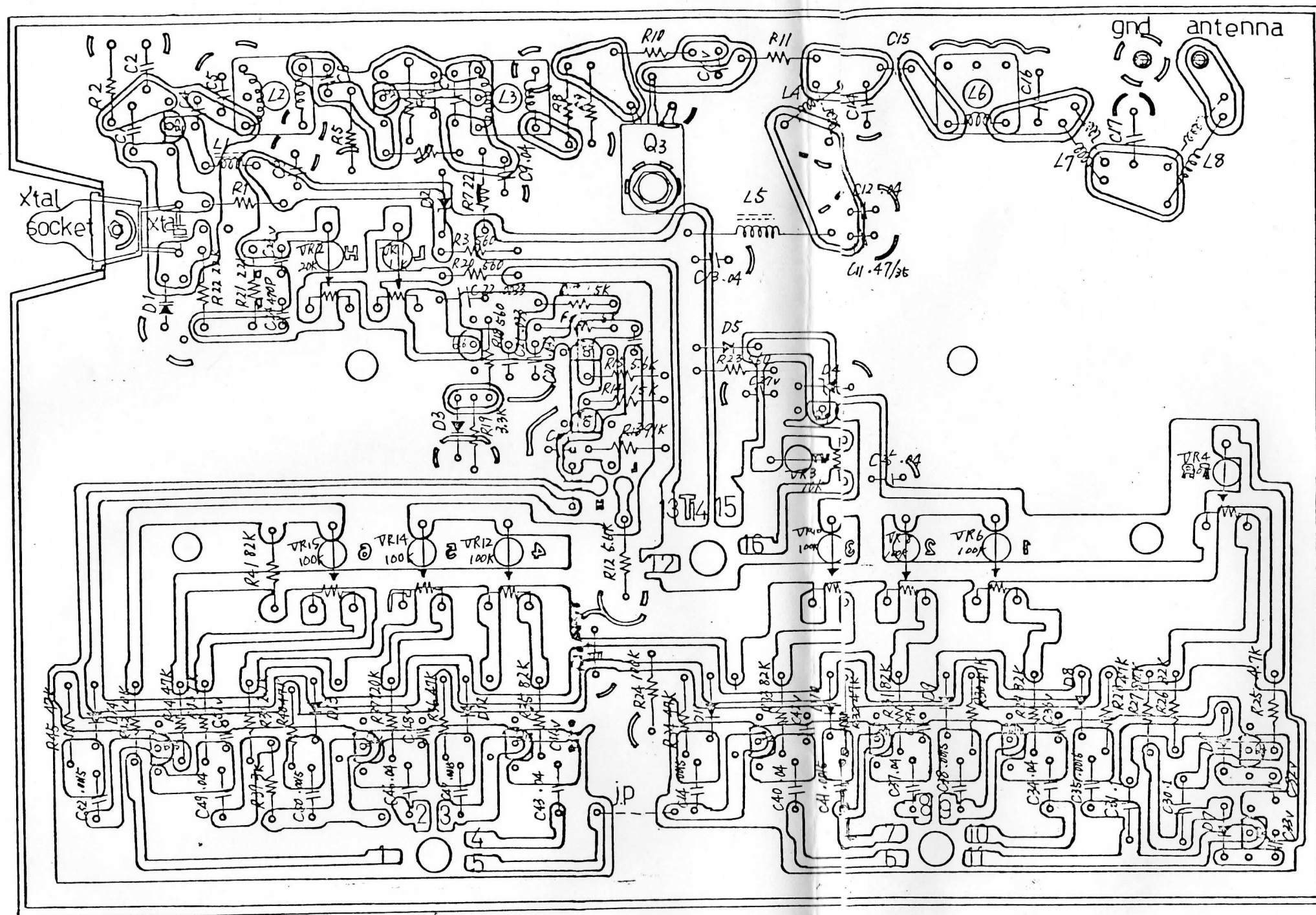
Q1 2SC1675  
 Q3 2SC1957  
 Q4-15 2SC1740S  
 or 458D  
 D1 BB109G  
 D2,4 RD68EB  
 D3,5-14 1S2473

Freq.	R1	R2	R4	R5	R6	R8	R9	R10	R11	C1	C2	C4	C5	C6	Q2
27M	470K	1K	4.7K	1.5K	220	10	220	1K	4.7	100P	100P	3P	39P	1000P	2SC1675
40M	330K	680	10K	6.8K	150	3.9	330	2.7K	2.2	100P	100P	1P	39P	30P	2SC1740S
Freq.	C8	C14	C15	C16	C17	L1	L2	L3	L4	L5	L6	L7	L8	Cmark	
27	50P	130P	25P	200P	300P	F4H100	T4OSC	L364C	L877	F6STR	L10-3/4	L877	L6721	.001	
40	30P	150P	15P	150P	150P	F4H2R7	L384-2C	L361-C	L873	F6STR	L3810C	L875	L679	.001	

FM-TRANSMITTER  
 FP-T507 CIRCUIT  
 (6CHANNEL)  
 FUTABA CORPORATION

date 76.11  
 51.11.24 52.3.14  
 77, 2





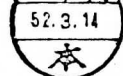
CONNECTION

- 1 SNAP S,W RED(220)
- 2 VR13 no 2 PINK(120)
- 3 VR13 no 1 PERPLE(120)
- 4 VR11 no 2 L, GREEN(100)
- 5 VR11 no 1 WHITE(100)
- 6 VR9 no 2 BLUE (150)
- 7 VR9 no 1 GREEN(150)
- 8 VR7 no 2 YELLOW(150)
- 9 VR7 no 1 ORANGE(150)
- 10 VR5 no 2 RED (100)
- 11 VR5 no 1 BROWN(100)
- 12 VR 5,7,9,11,13 no 3  
BLACK(520)
- 13 METER(+) GLAY(200)
- 14 POWER S,W(+)  
RED(180)
- 15 POWER S,W(-)  
BLACK(180)
- 16 METER(-) L, GREEN  
(200)

FM-TRANSMITTER  
PC, BOARD FP-T507b  
CIRCUIT BOARD  
ASSEMBLY(6 CH)

FUTABA CORPORATION

date 52.7.2



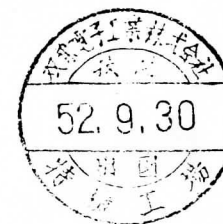
- Q1 2SC1675
- Q3 2SC1957
- Q4-15 2SC1740  
or 458
- D1 BB109G
- D2,4 RD6.8EB
- D3,5-14  
1S 2473

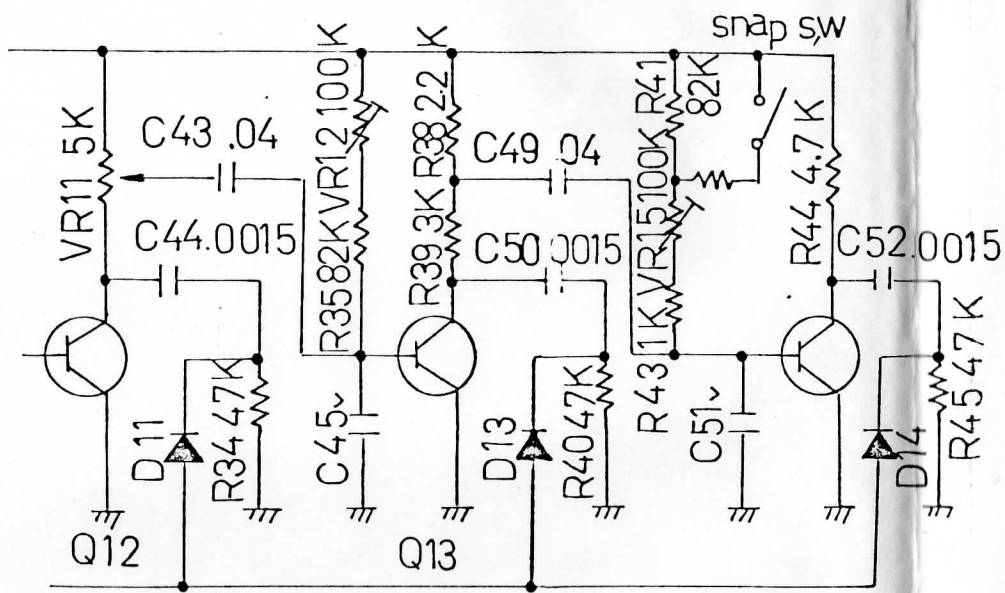
Freq	R1	R2	R4	R5	R8	R9	R10	F11	C1	C2	C4	C5	C6	R6
27M	470K	1K	4.7K	15K	10	220	1K	47	100P	100P	3P	39P	1000P	220
40M	330K	680	10K	68K	3.9	330	2.7K	22	100P	100P	1P	39P	30P	150

Freq	C8	C14	C15	C16	C17	L1	L2	3	L4	L5	L6	L7	L8	Q2
27M	50P	130P	25P	200P	300P	FL5-100	T40SC	L877	F6STR	L1034	L877	L6721	C1675	
40M	30P	150P	15P	150P	150P	FL4-27	L384-20	L873	F6STR	L38100	L875	L679	C1740	

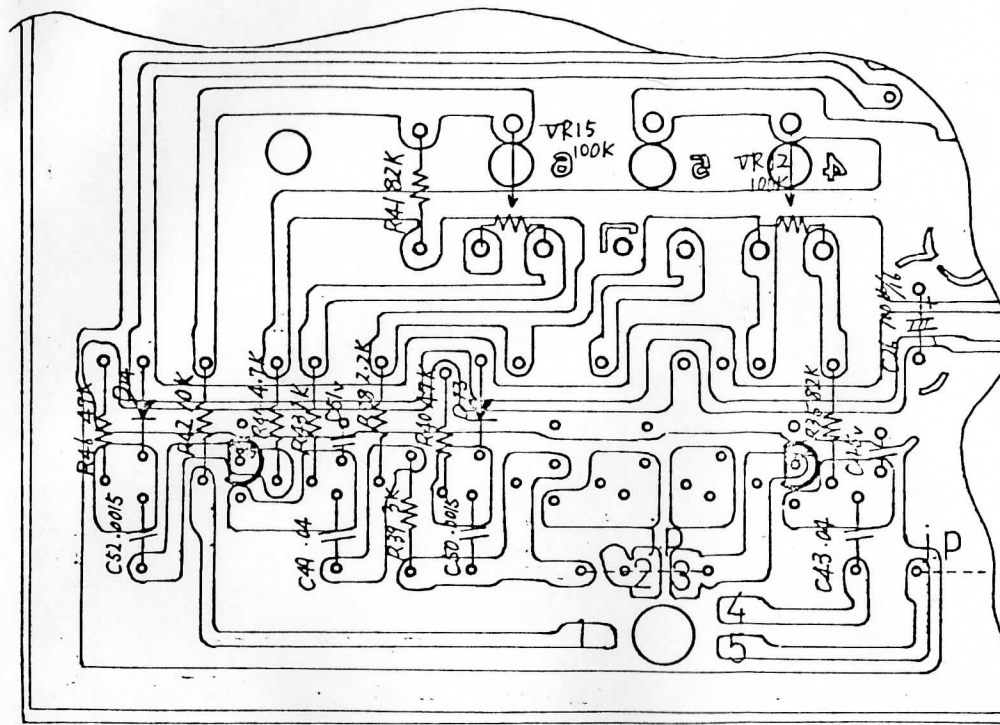
C-mark .001

L386-1c  
L385-1c



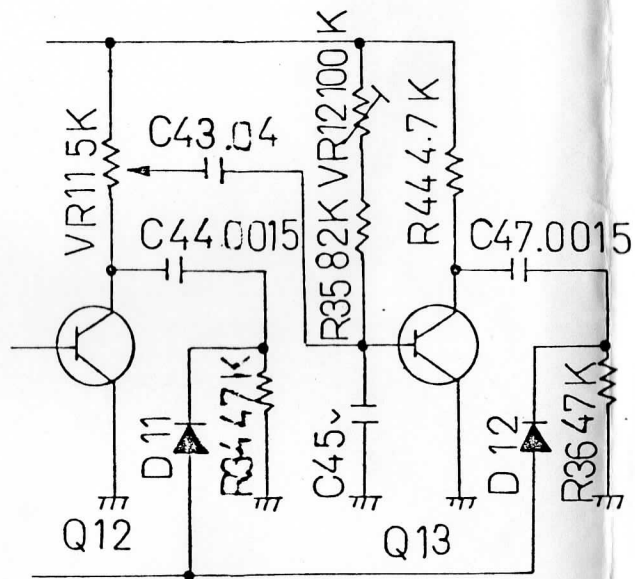


FP-T507b(5channel) encoder circuit (bit part)

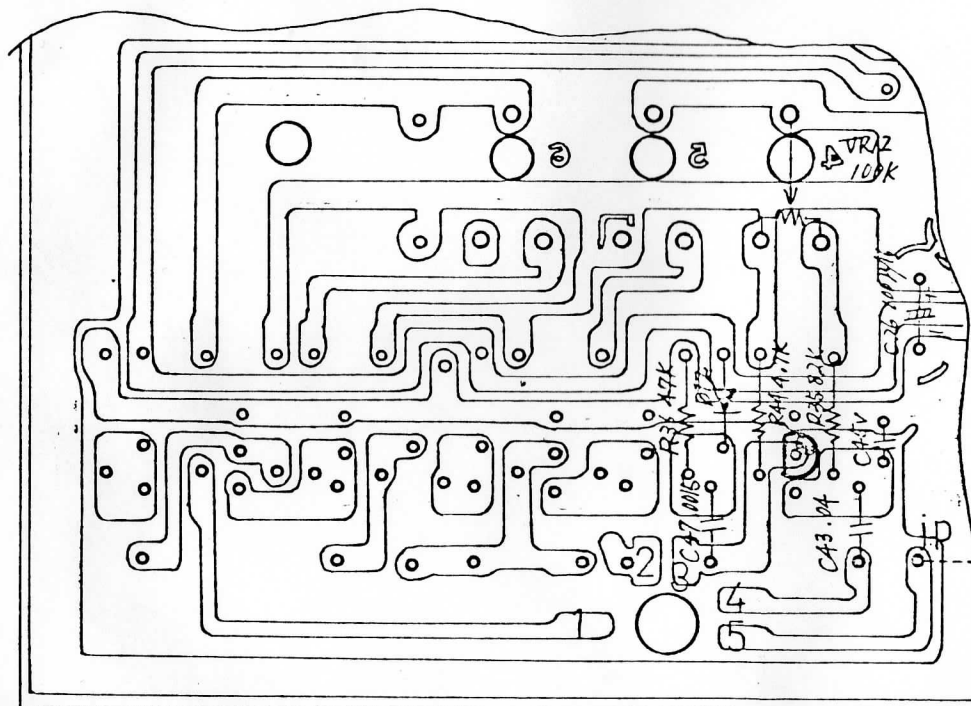


FP-T507b(5channel) circuit board assembly (bit part)

- connection
- 1 SNAPS,W  
PINK(220)
  - 2 NO CONNECT
  - 3 NO CONNECT
  - 4 VR11no2  
GLAY(100)
  - 5 VR11no1  
PERPLE
- others are same as (6ch)



FP-T507b(4channel) encoder circuit(bit part)



FP-T507b(4channel) circuit board assembly (bit part)

- connection
- 1 NO CONNECT
  - 2 NO CONNECT
  - 3 NO CONNECT
  - 4 VR11no2  
GLAY(100)
  - 5 VR11no1  
PERPLE(100)
- others are same as (6ch)



date 77,2

FUTABA CORPORATION



ICR-970012