

SUPPLEMENTARY INSTRUCTIONS

MTT-6 TRANSISTORIZED TRANSMITTER

9 VOLT OPERATION

The MTT-6 is an assembled 6 Channel non-simultaneous transmitter. It is built on the same circuit board and uses the same housing case as our 10 Channel unit. Circuitwise the MTT-6 is identical to our MTT-10 except for the exclusion of one tone generator, the balance control and the four unused channels. Refer to the MTT-10 instructions for general information in regard to battery power, tuning and maintenance notes. For specific information on functions on the lever switches and location of tone adjustment potentiometers refer to figures one (1) and two (2) of this supplement.

6 CHANNEL SUPERHET

The SH-6, 6 Channel Superhet is identical in circuit and operation as our SH-20 10 Channel Receiver with the following change being involved. A 6 Channel Medco Reed Bank is substituted for the 10 channel. SH-20 operating instructions are supplied with the SH-6 as operation, wiring and maintenance is the same. Figure three (3) of this supplement shows the reed bank wiring and function color coding of the individual reeds. In reference to the actual wiring of the receiver to the servos and thus to the batteries, use the receiver-servo wiring diagram as presented for the 10 channel hook-up eliminating the use of the aileron and elevator trim servos.

Controlaire 6 ch Transmitter

Fig. 1

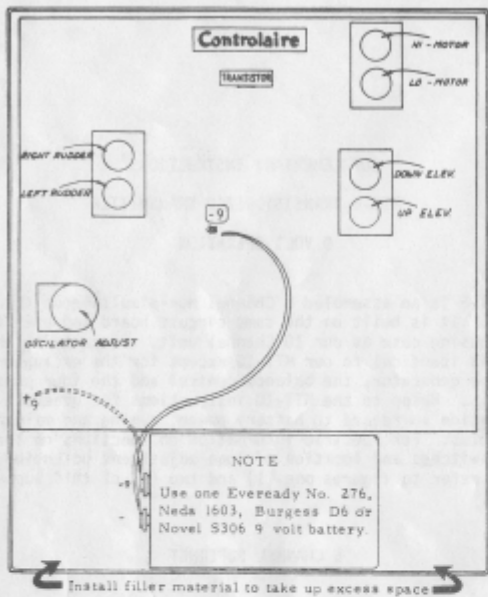
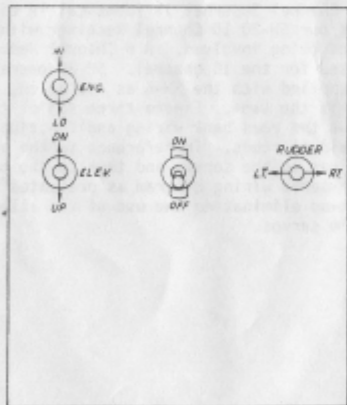
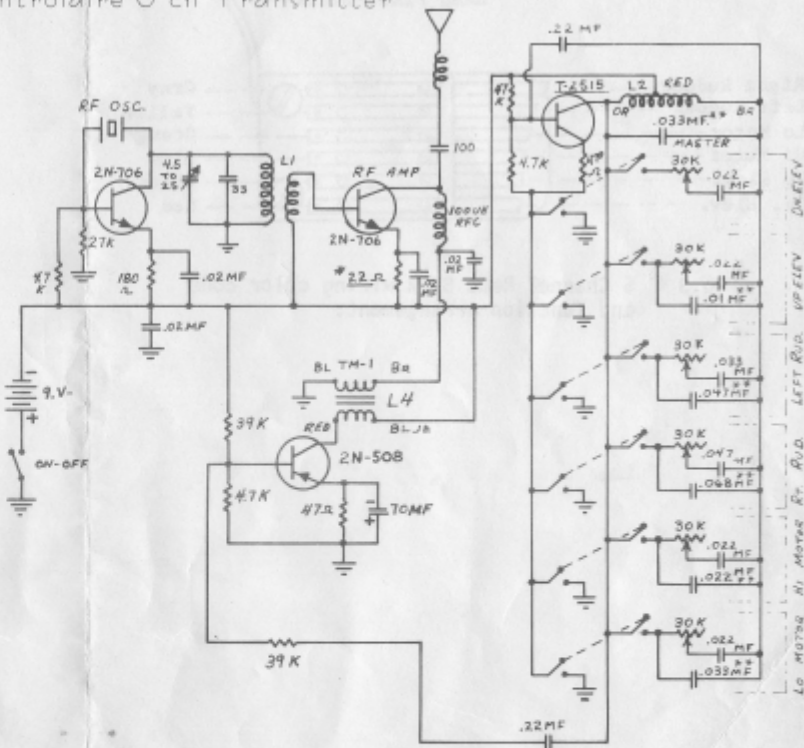


Fig. 2



TRANS CONTROL IDENT - FACE VIEW



L1 - Primary 10T #16 Closewound to 7/16" D. Secondary 3T #22 insulated solid wound over cold end of primary.

L2 - L3 - 2 Henry Controlaire Toroid tapped 1/3 DC resistance.

L4 - TM-1 Controlaire modulation transformer, primary 500 ohms, secondary 200 ohms.

* May vary between 10 and 22 ohms--adjust to give maximum RF output and modulation percentage.

** Values have been selected for the Medco 6 Channel Reed Bank.

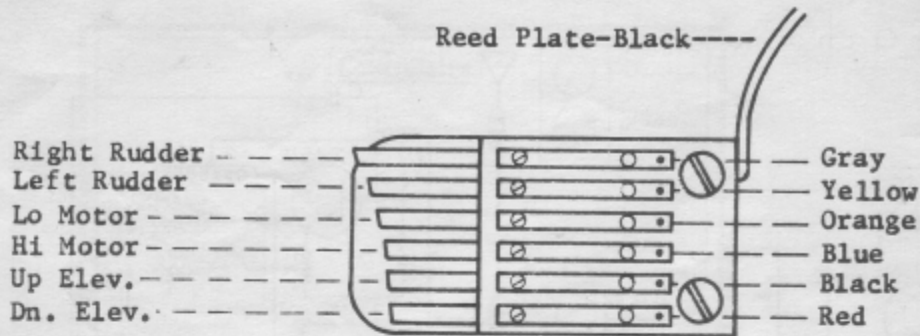


Fig.3 6 Channel Reed Bank wiring color code and function arrangement.

Controlaire Electronics Division

World Engines, Inc.

8206 Blue Ash Road
Cincinnati 36, Ohio