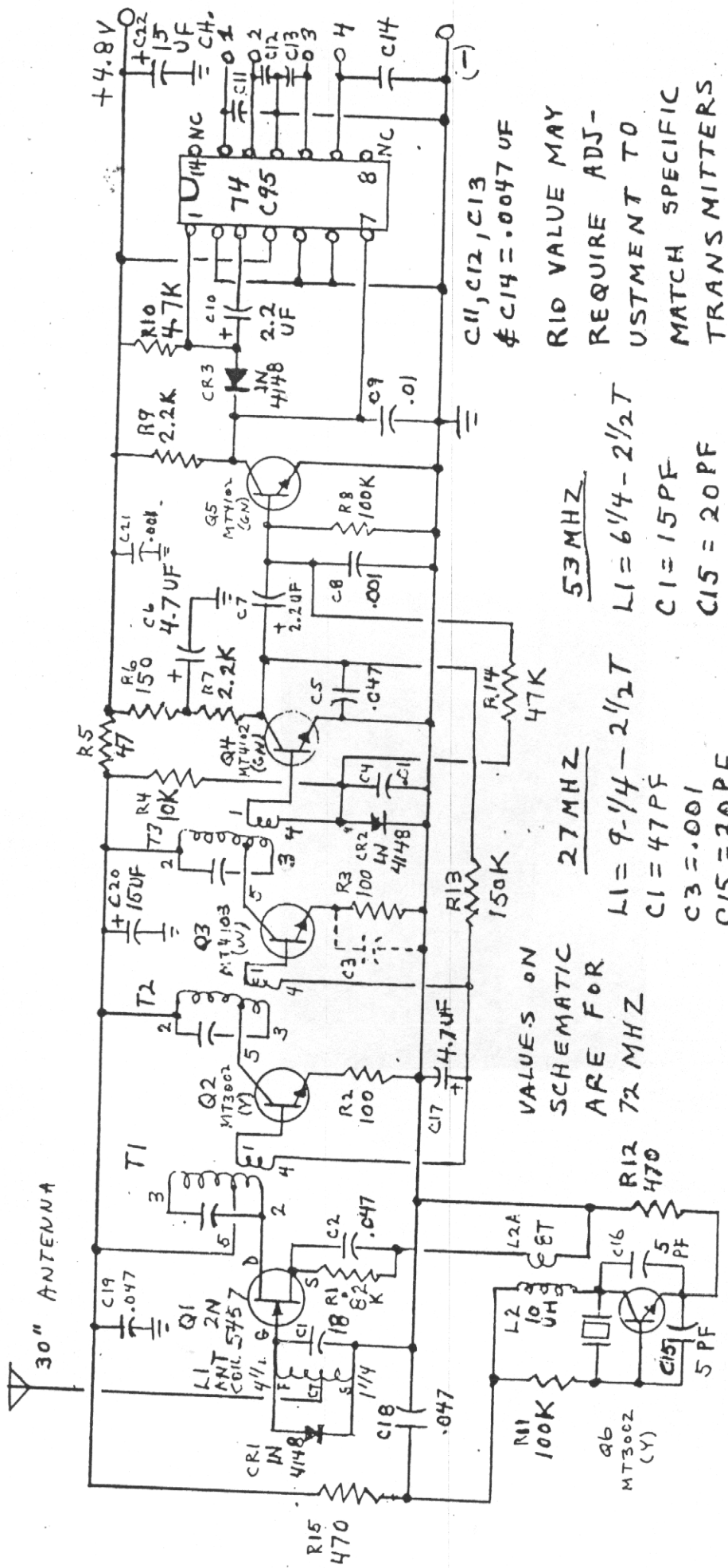


CANNON ELECTRONICS 1980 SUPER-MICRO RECEIVER

8/25/80



C11, C12, C13
C14 = .0047 UF
R10 VALUE MAY
REQUIRE ADJ-
USTMENT TO
MATCH SPECIFIC
TRANSMITTERS

53 MHZ
L1 = 6 1/4 - 2 1/2 T
C1 = 15 PF
C15 = 20 PF
C16 = 10 PF

27 MHZ
L1 = 9 1/4 - 2 1/2 T
C1 = 47 PF
C3 = .001
C15 = 20 PF
C16 = 20 PF
R3 = 220 Ω

VALUES ON
SCHEMATIC
ARE FOR
72 MHZ

ALL OTHER VALUES REMAIN THE SAME.